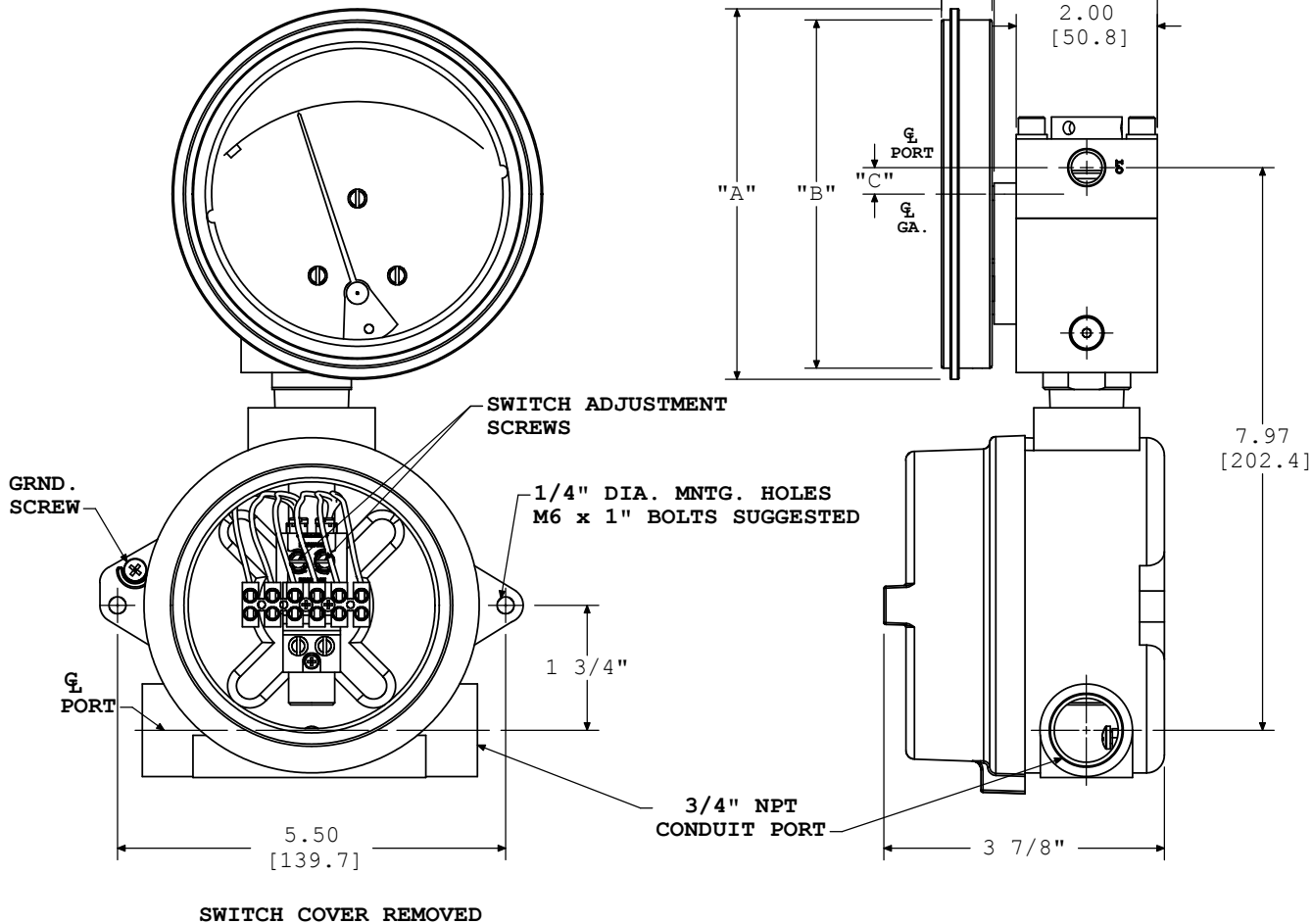


DIAL CASE STYLES

**"B"-STYLE
DIAL CASE**



**"B"-STYLE
DIAL CASE SIZES & DIMENSIONS**

	3.5"	4.5"	6.0"
A	4.25 [108.0]	5.25 [133.4]	6.68 [169.7]
B	3.94 [100.1]	4.94 [125.5]	6.44 [163.6]
C	.75 [19.1]	.37 [9.4]	*.35 [8.9]
D	.13 [3.3]	.13 [3.3]	.13 [3.3]
E	.72 [18.3]	.72 [18.3]	.75 [19.1]

* \varnothing OF DIAL CASE IS ABOVE PORT

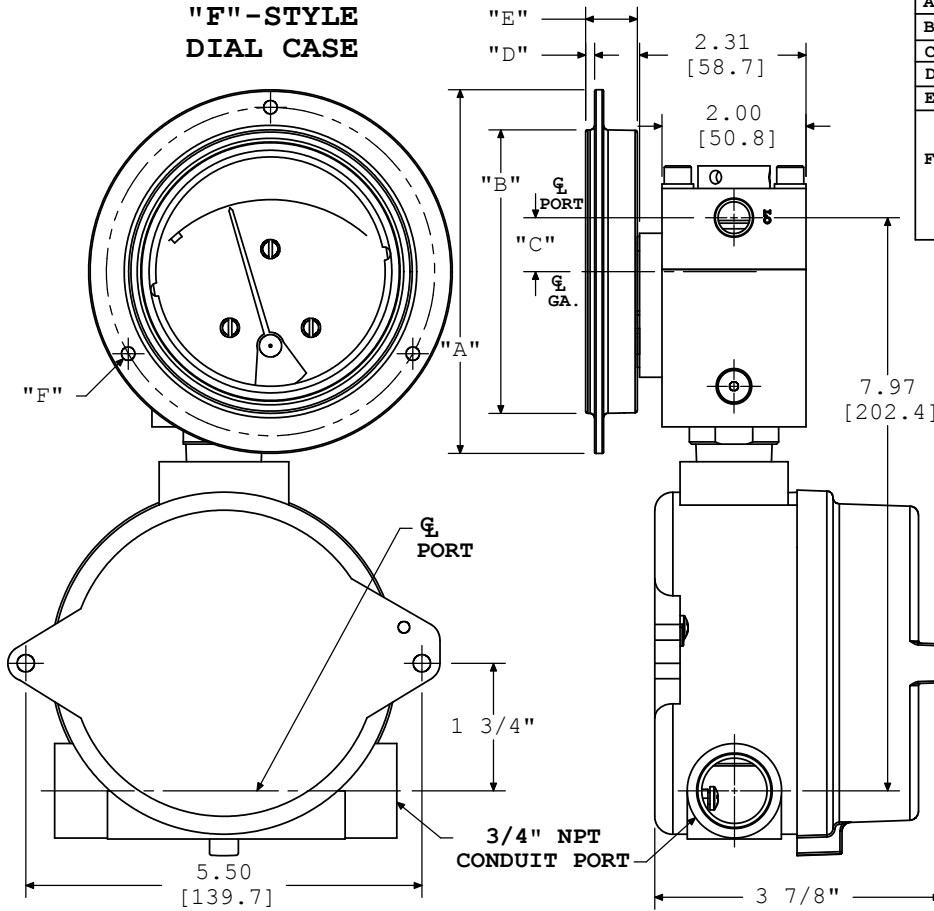
MODEL 1514DGS DIAL CASE DIMENSIONS

DIAL CASE SIZES & DIMENSIONS

	3.5"	4.5"	6.0"
A	5.00[127.0]	6.00[152.4]	7.62[193.5]
B	3.94[100.1]	4.94[125.5]	6.44[163.6]
C	.75[19.1]	.37[9.4]	*.35[8.9]
D	.13[3.3]	.13[3.3]	.13[3.3]
E	.72[18.3]	.72[18.3]	.75[19.1]
F	PANEL CUTOUT: Ø4.00 3 MTG. HOLES Ø.187 EQUALLY SPACED ON A Ø4.56 B.C.	PANEL CUTOUT: Ø5.00 3 MTG. HOLES Ø.218 EQUALLY SPACED ON A Ø5.38 B.C.	PANEL CUTOUT: Ø6.50 3 MTG. HOLES Ø.218 EQUALLY SPACED ON A Ø7.00 B.C.

* DIM IS ABOVE ϕ OF PORT

**"F"-STYLE
DIAL CASE**



PORTING LOCATIONS

