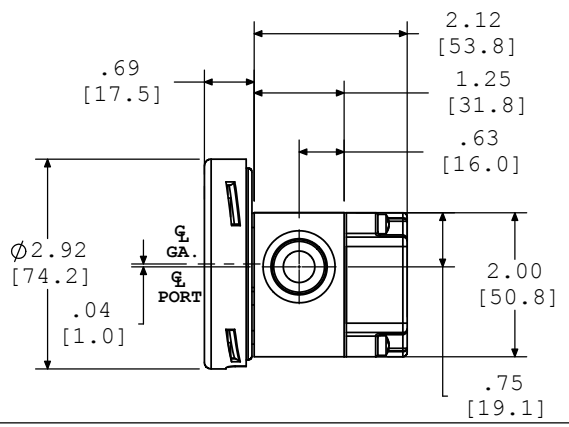
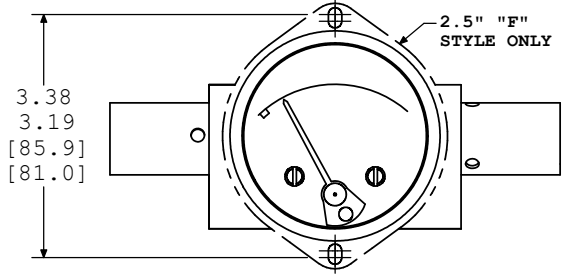
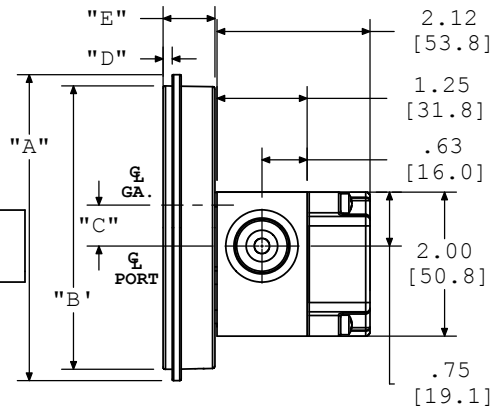
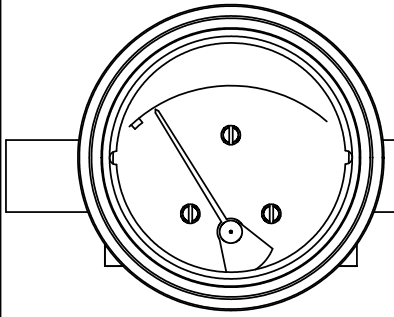


**DIAL CASE STYLES**

**2.5" "B" & 2.5" "F" STYLE DIAL CASE**



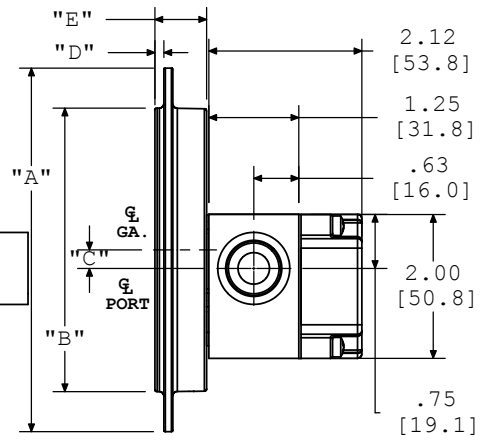
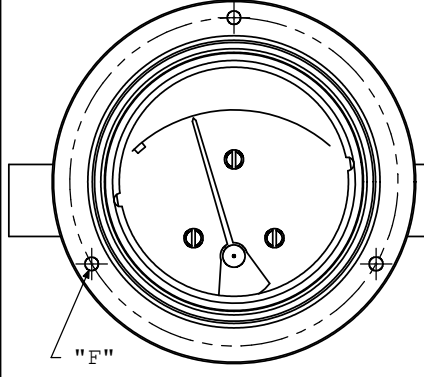
**"B"-STYLE DIAL CASE**



**DIAL CASE SIZES & DIMENSIONS**

|   | 3.5"        | 4.5"        | 6.0"        |
|---|-------------|-------------|-------------|
| A | 4.25[108.0] | 5.25[133.4] | 6.68[169.7] |
| B | 3.94[100.1] | 4.94[125.5] | 6.44[163.6] |
| C | .25[6.4]    | .62[15.7]   | 1.35[34.3]  |
| D | .13[3.3]    | .13[3.3]    | .13[3.3]    |
| E | .72[18.3]   | .72[18.3]   | .75[19.1]   |

**"F"-STYLE DIAL CASE**



**DIAL CASE SIZES & DIMENSIONS**

|   | 3.5"   | 4.5"   | 6.0"   |
|---|--|--|--|
| A | 5.00[127.0]  | 6.00[152.4]  | 7.62[193.5]  |
| B | 3.94[100.1]  | 4.94[125.5]  | 6.44[163.6]  |
| C | .25[6.4]   | .62[15.7]  | 1.35[34.3]   |
| D | .13[3.3]   | .13[3.3]   | .13[3.3]   |
| E | .72[18.3]  | .72[18.3]  | .75[19.1]  |
| F | PANEL CUTOUT:<br>Ø4.00<br>3 MTG. HOLES<br>Ø.187 EQUALLY<br>SPACED ON A<br>Ø4.56 B.C. | PANEL CUTOUT:<br>Ø5.00<br>3 MTG. HOLES<br>Ø.218 EQUALLY<br>SPACED ON A<br>Ø5.38 B.C. | PANEL CUTOUT:<br>Ø6.50<br>3 MTG. HOLES<br>Ø.218 EQUALLY<br>SPACED ON A<br>Ø7.00 B.C. |

**PORTING LOCATIONS**

