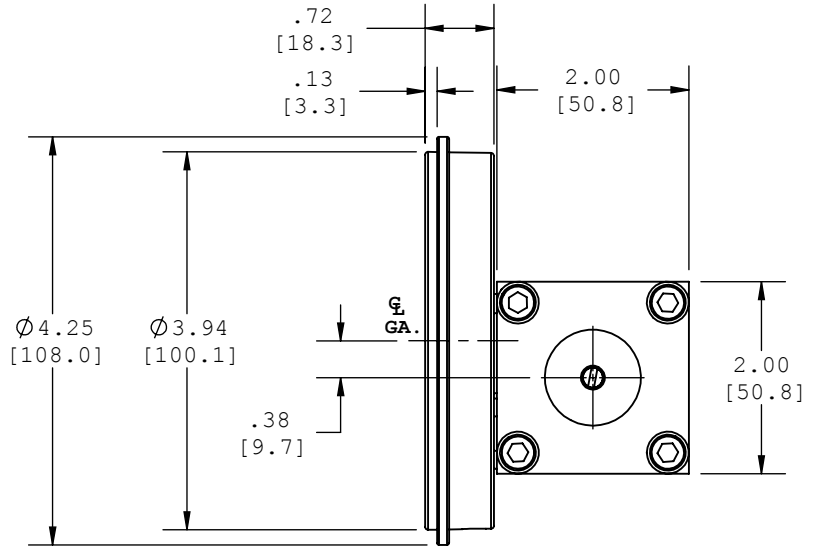
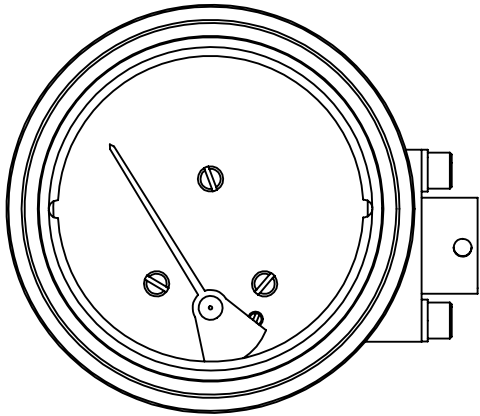


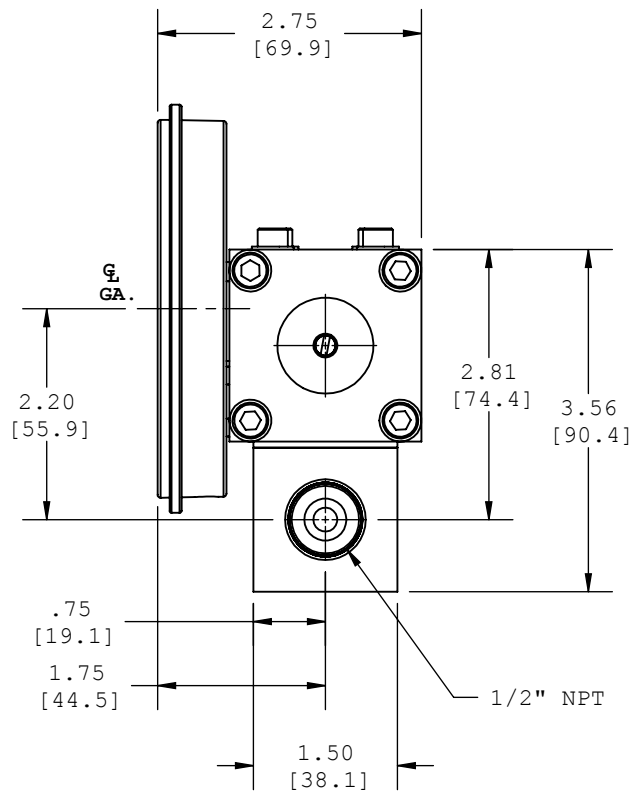
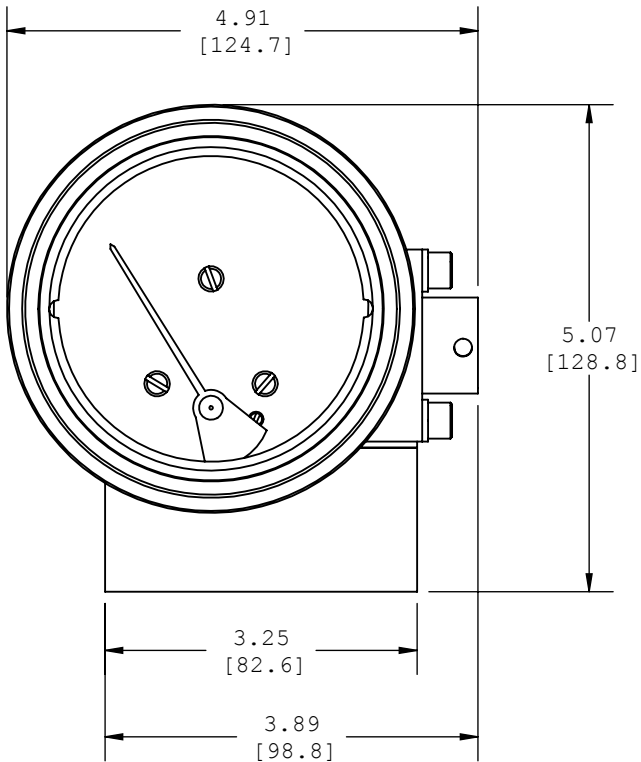
2500 Series DP Flow

**DIFFERENTIAL PRESSURE GAUGE
with FLOW SCALE**

**SHT. 1 of 2 Rev.-
SCALE 1/2"=1**

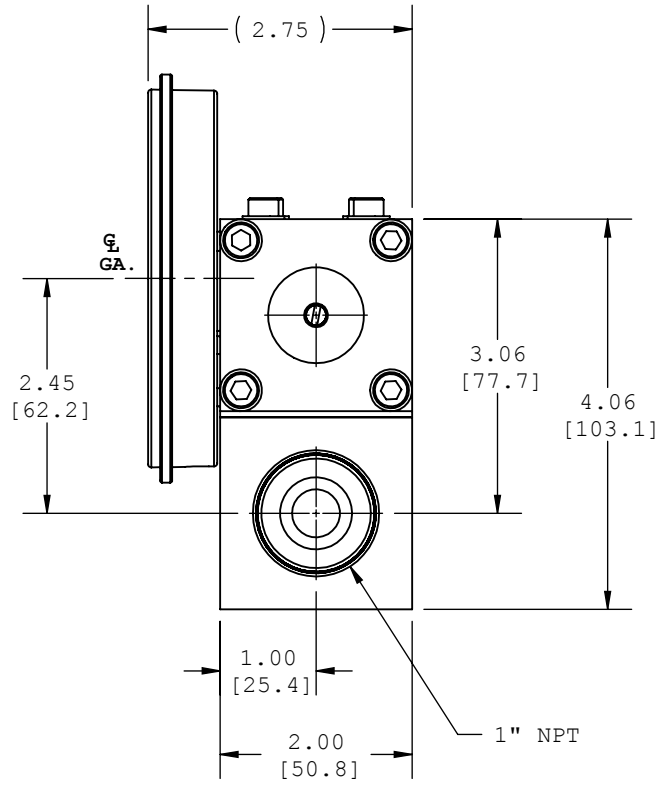
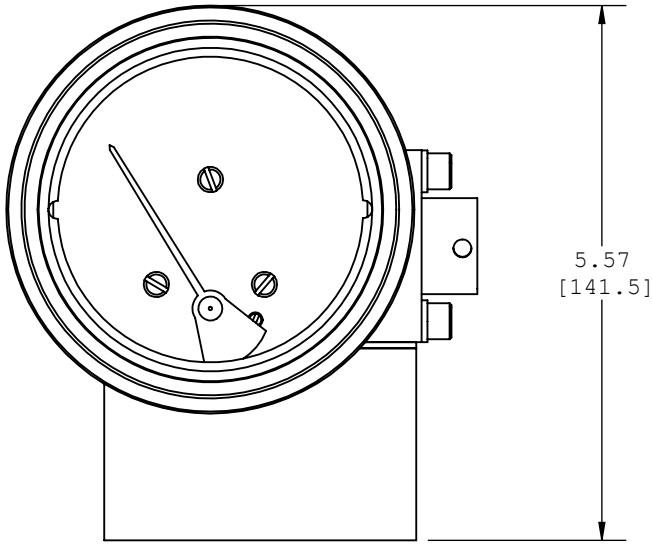


2510 SERIES - 1/2" NPT

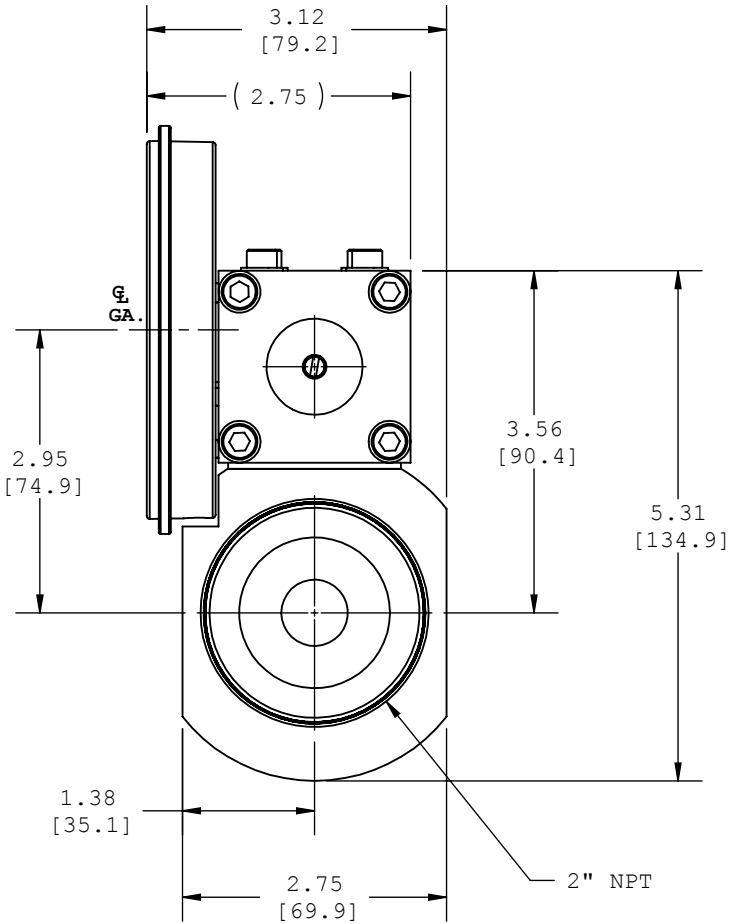
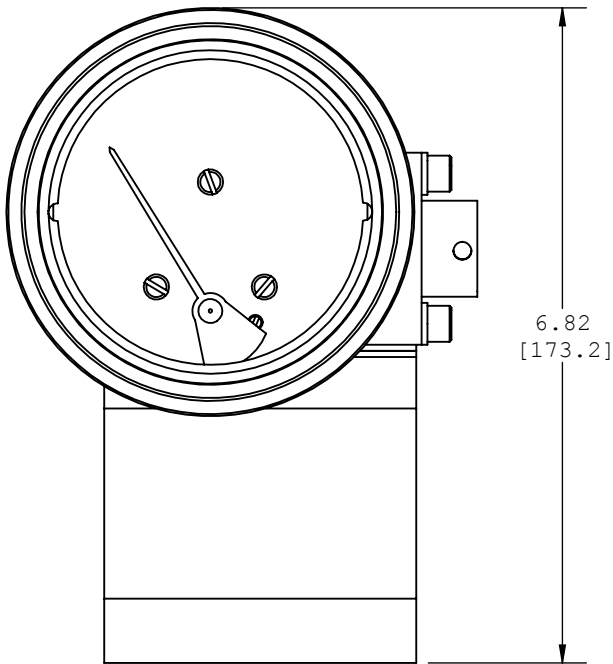


NOTE: DIMENSIONS IN BRACKETS ARE IN MILLIMETERS

2520 SERIES - 1"NPT



2530 SERIES - 2"NPT



NOTE: DIMENSIONS IN BRACKETS ARE IN MILLIMETERS